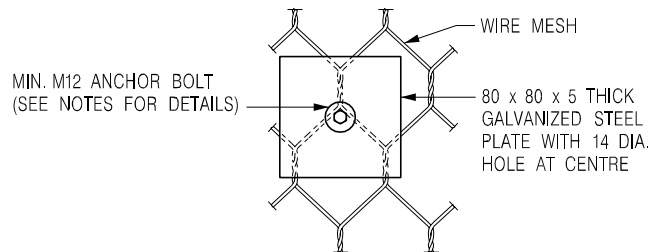


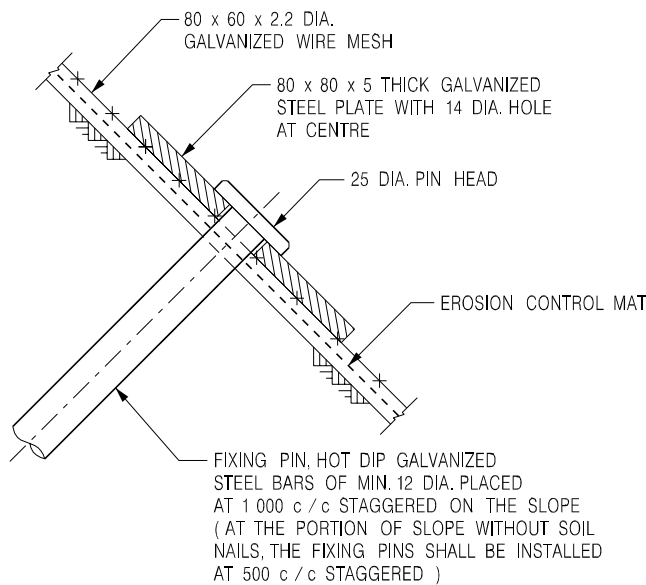
TYPICAL FIXING DETAILS ON SLOPE FACE WITH SOIL NAIL HEAD

SCALE 1 : 10



DETAIL 'A'

SCALE 1 : 5



FIXING PIN DETAILS

SCALE 1 : 2

NOTES:

1. ALL DIMENSIONS ARE IN MILLIMETRES.
2. THE ANCHOR BOLTS, NUTS AND WASHERS FOR FIXING THE WIRE MESH TO SOIL NAIL HEADS SHALL BE STAINLESS STEEL COMPLYING WITH G.S. CLAUSE 5.16.
3. THE COMPONENTS OF THE ANCHOR BOLTS SHALL INCLUDE :
(i) HEXAGONAL BOLT OR THREADED ROD WITH HEXAGONAL NUT;
(ii) WASHER WITH MINIMUM DIAMETER OF 20 mm.
4. THE MEAN ULTIMATE TENSILE RESISTANCE AND MEAN SHEAR ULTIMATE SHEAR RESISTANCE OF THE ANCHOR BOLTS SHALL BE 31 kN AND 47 kN RESPECTIVELY IN NON-CRACK CONCRETE WITH CONCRETE STRENGTH AT 30 N/mm².
5. THE LENGTH AND DIAMETER OF THE DRILLHOLES AND THE MINIMUM EMBEDMENT DEPTH OF THE ANCHOR BOLTS SHALL BE COMPATIBLE WITH THE SPECIFICATION OF THE ANCHOR BOLT SUBMITTED BY THE CONTRACTOR AND APPROVED BY THE ENGINEER.
6. REFER TO STD. DRG. NO. C2511 /1 FOR OTHER NOTES.

C	GENERAL REVISION.	Original Signed	12.2005
B	GENERAL REVISION.	Original Signed	01.2005
A	SOIL NAIL HEAD AMENDED.	Original Signed	01.2004
-	NEW ISSUE.	Original Signed	12.2002
REF.	REVISION	SIGNATURE	DATE

FIXING DETAILS FOR EROSION CONTROL MAT AND WIRE MESH WITH SOIL NAILS
(SHEET 2 OF 2)

CIVIL ENGINEERING AND DEVELOPMENT DEPARTMENT

SCALE AS SHOWN

DRAWING NO.

DATE DEC 2002

C2511 / 2C